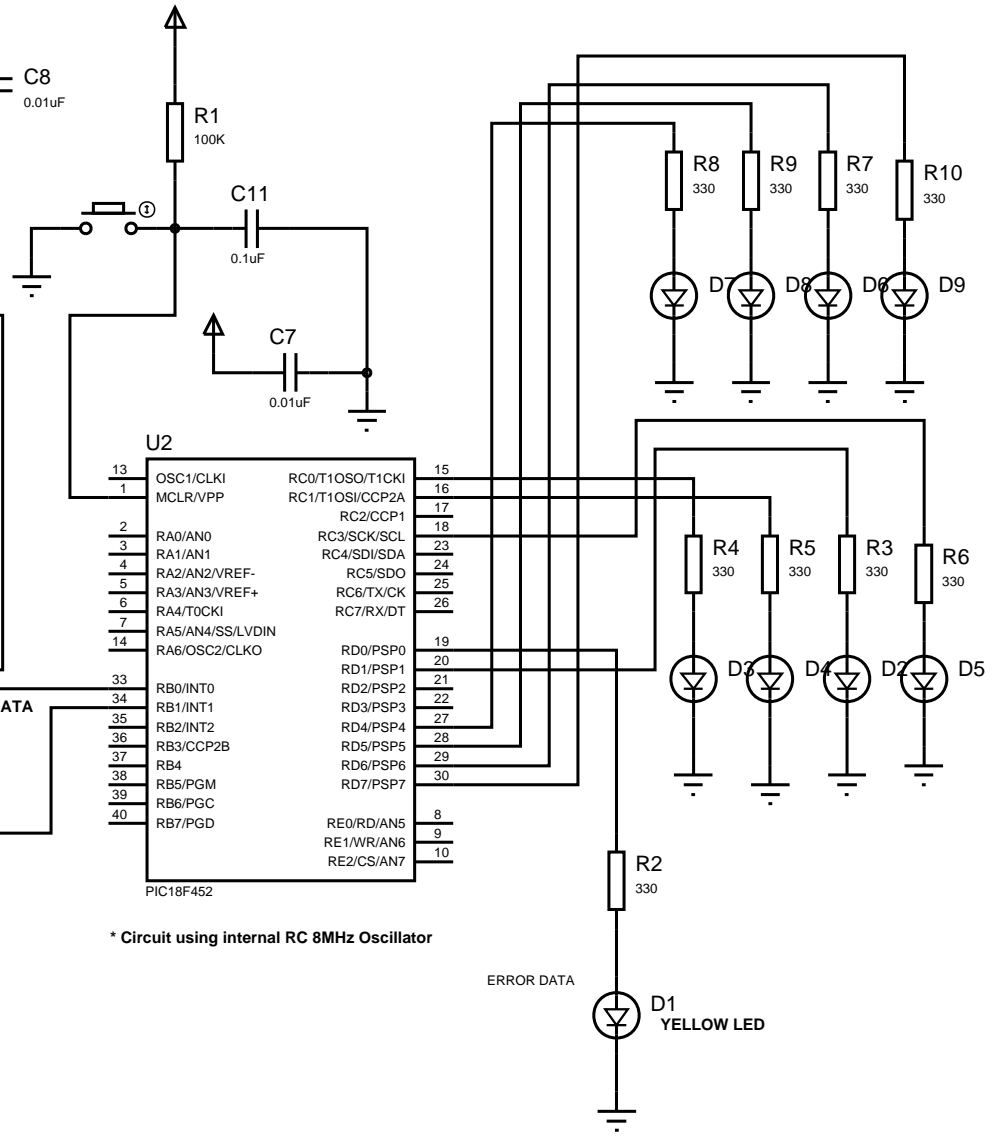


## RECEIVE LED CONTROLLER



\* Circuit using internal RC 8MHz Oscillator

ERROR DATA  
D1 YELLOW LED